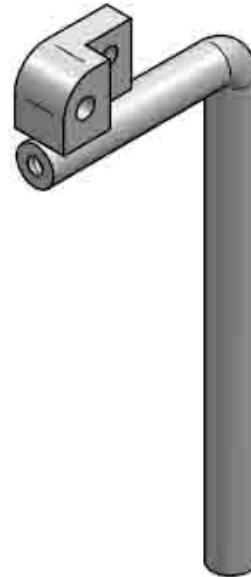
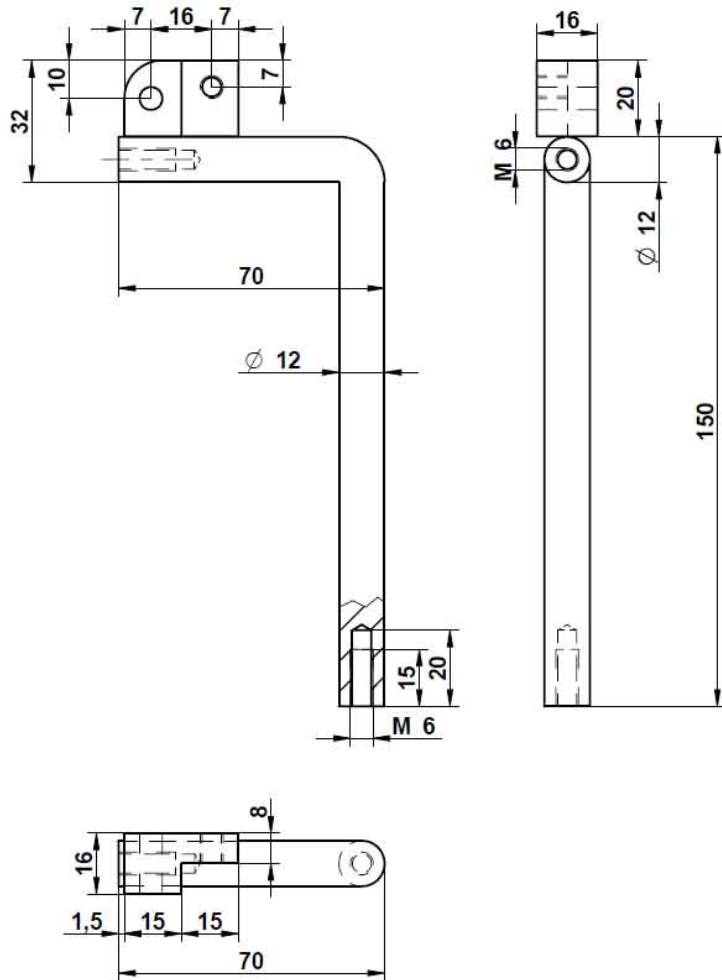


# CLASSE G



PART #	FINISH	DESCRIPTION	PACK SIZE
11MCLGC120GS	CHROME	2 POSITION HEADREST MECHANISM WITH GAS SPRINGS	25 pairs

# CLASSE G



F <sub>e</sub> FINISHING POLISHED	Polishing + Chrome process
BEVEL:	Required on sharp parts
FACES TO BE FINISHED:	All

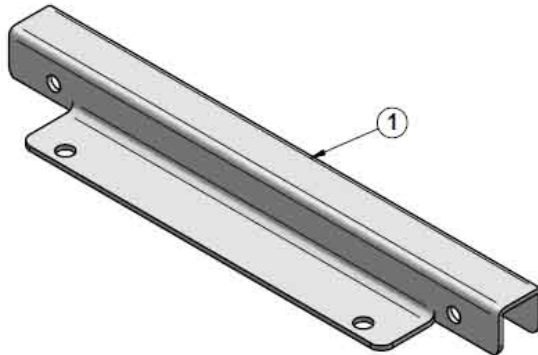
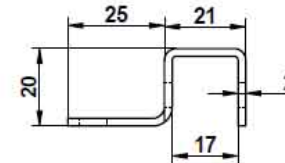
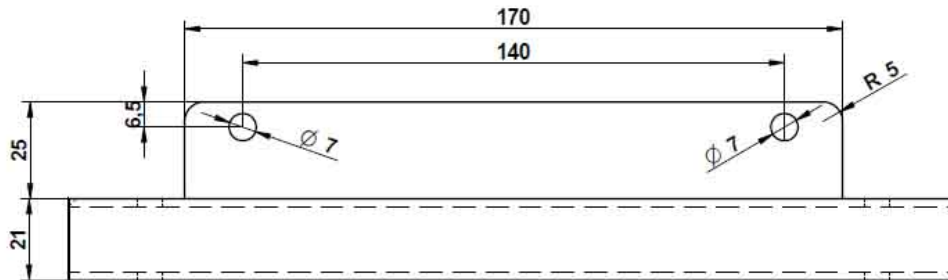
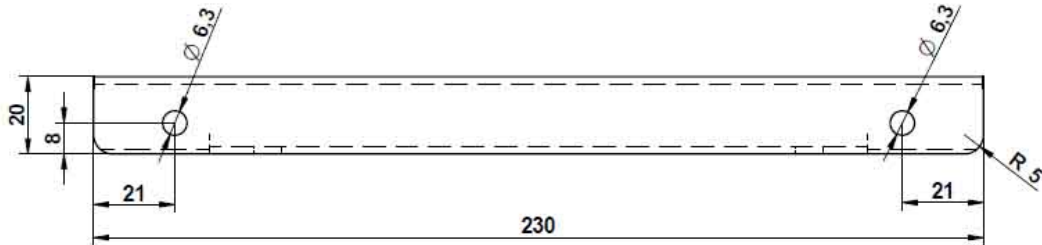
Pos.	Denominazione	Pezzi	Materiale	kg	cod.	Finitura
12		-	-		....	
11		-	-		....	...
10		-	-		....	...
9	Self Lock Nut M6	4	Iron		....	Galvanized
8	Screw TBEI M6x30	4	Iron		....	Galvanized
7	Washer Ø24	2	Iron		....	Galvanized
6	Screw TBEI M6x10	6	Iron		....	Galvanized
5	Washer	2	Brass		....	...
4	Iron Bush	2	Iron		....	Chromed
3	Piston 300N	2			09129300N	...
2	Support	2	Iron		....	Chromed
1	Plate thickness 2mm	2	Iron		....	Painting Black

## LEGEND

80 = measurement in millimeters

4" = measurement in inches

# CLASSE G



## LEGEND

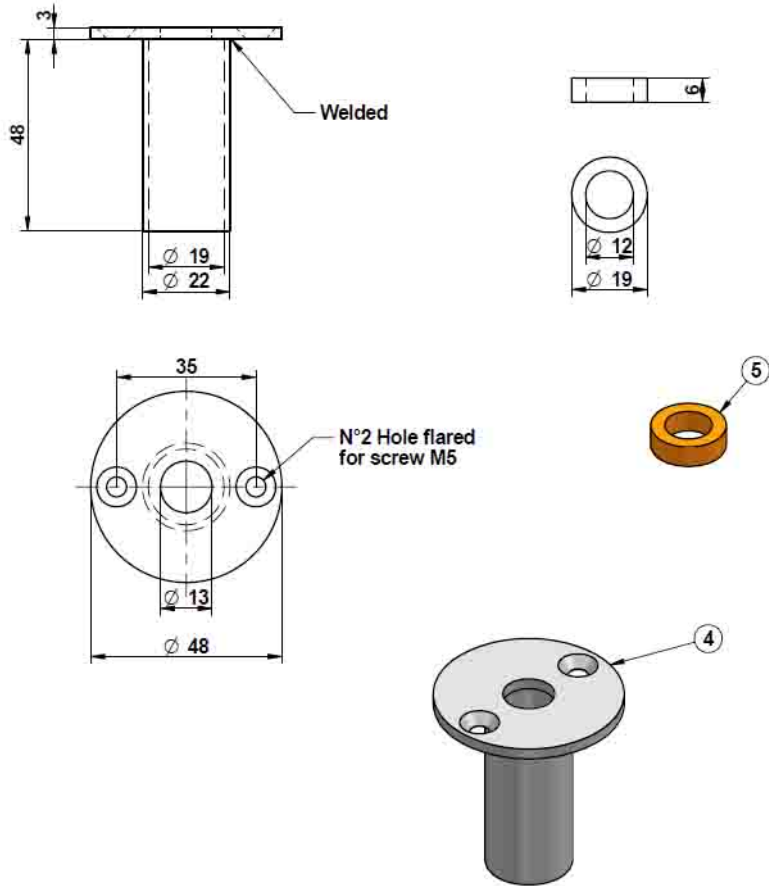
80 = measurement in millimeters

4" = measurement in inches

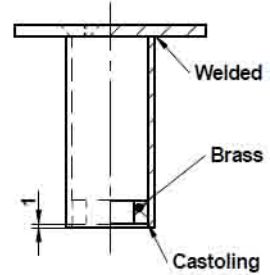
F <sub>e</sub> FINISHING Pos.1:	Painting Black
BEVEL:	Required on sharp parts
FACES TO BE FINISHED:	All

12	-	-	-	-	-	
11	-	-	-	-	-	
10	-	-	-	-	-	
9	Self Lock Nut M6	4	Iron	-	Galvanized	
8	Screw TBEI M6x30	4	Iron	-	Galvanized	
7	Washer Ø24	2	Iron	-	Galvanized	
6	Screw TBEI M6x10	6	Iron	-	Galvanized	
5	Washer	2	Brass	-	-	
4	Iron Bush	2	Iron	-	Chromed	
3	Piston 300N	2	-	09129300N	-	
2	Support	2	Iron	-	Chromed	
1	Plate thickness 2mm	2	Iron	-	Painting Black	
Pos.	Denominazione	Pezzi	Materiale	kg	cod.	Finitura

# CLASSE G



F <sub>E</sub> FINISHING POLISHED	Polishing + Chrome process
BEVEL:	Required on sharp parts
FACES TO BE FINISHED:	All
ASSEMBLING :	Complete



12	...	...	...	...		
11	...	...	...	...		
10	...	...	...	...		
9	Self Lock Nut M6	4	Iron	Galvanized		
8	Screw TBEI M6x30	4	Iron	Galvanized		
7	Washer Ø24	2	Iron	Galvanized		
6	Screw TBEI M8x10	6	Iron	Galvanized		
5	Washer	2	Brass	...		
4	Iron Bush	2	Iron	Chromed		
3	Piston 300N	2	...	09129300N		
2	Support	2	Iron	Chromed		
1	Plate thickness 2mm	2	Iron	Painting Black		
Pos.	Denominazione	Pezi	Materiale	kg	cod.	Finitura

**LEGEND**

**80** = measurement in millimeters  
**4"** = measurement in inches

Remove any bavels and/or residual material and/or sharp edges