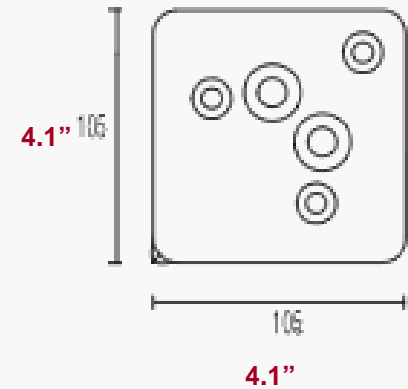
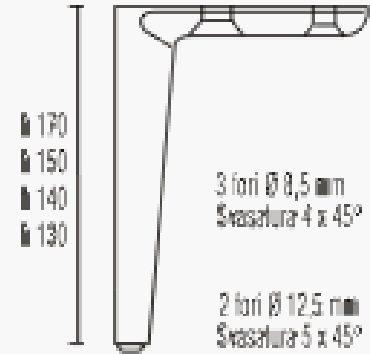


ANGELO



6.7"
5.9"
5.1"



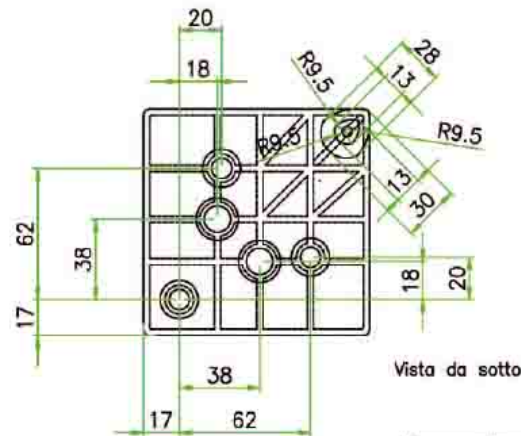
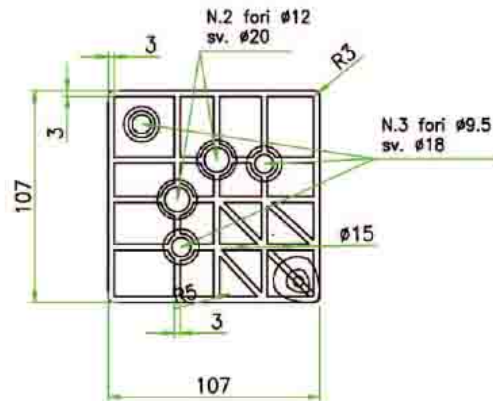
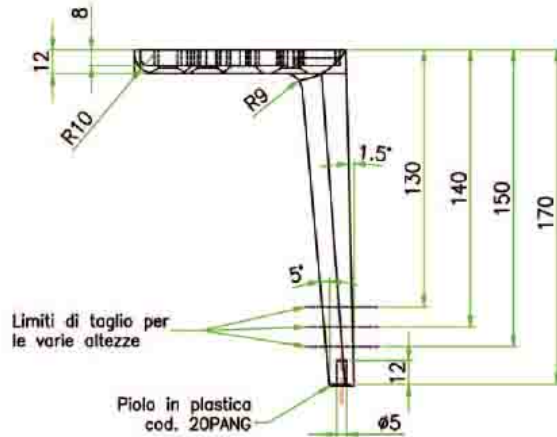
PART #	MATERIAL	FINISH	HEIGHT	PACK SIZE
20AANGL130S	ALUMINUM	POLISH	5.1" (130mm)	48PCS
20AANGO130S	ALUMINUM	MATTE	5.1" (130mm)	48PCS
20AANGL150S	ALUMINUM	POLISH	5.9" (150mm)	48PCS
20AANGO150S	ALUMINUM	MATTE	5.9" (150mm)	48PCS
20AANGL170S	ALUMINUM	POLISH	6.7" (170mm)	48PCS
20AANGO170S	ALUMINUM	MATTE	6.7" (170mm)	48PCS

LEGEND

80 = measurement in millimeters

4" = measurement in inches

ANGELO



Vista da sotto

Altezza	Cod.piede lucido	Cod.piede opaco
130	20AANGL130	20AANGO130
140	20AANGL140	20AANGO140
150	20AANGL150	20AANGO150
170	20AANGL170	20AANGO170

A. FINISHING :	Polished & Mat03
BEVEL:	Required on sharp parts
FACES TO BE FINISHED:	All
ASSEMBLING :	Complete - plastic tip included

<small>PIRELLA GÖTTSCHE LOWE</small> Studio di Progetto per Immagine Design e Branding <small>PE&S s.r.l. design ed. aprile 2010 02/0007</small>		Piede "ANGELO" H170 -150 -140 -130 Fin. Opaco / Lucido
		Codice articolo 20AANG..
		Riferimento
Formato foglio	AG	Quote e angoli non tollerati UNI ISO 22768 1 - 2 Lavoraz. meccaniche Classe II Carpenteria Classe III
Scala	1:2	