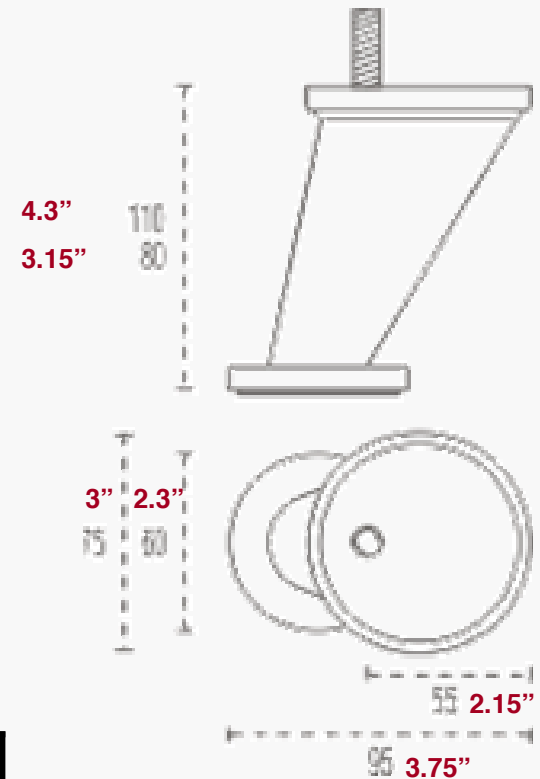


CASTELLO



PART #	MATERIAL	FINISH	HEIGHT	PACK SIZE
20ACASL080S	ALUMINUM	POLISH	3.15" (80mm)	48PCS
20ACASO080S	ALUMINUM	MATTE	3.15" (80mm)	48PCS
20ACASL110S	ALUMINUM	POLISH	4.3" (110mm)	48PCS
20ACASO110S	ALUMINUM	MATTE	4.3" (110mm)	48PCS

LEGEND

80 = measurement in millimeters

4" = measurement in inches