

CYPRESS



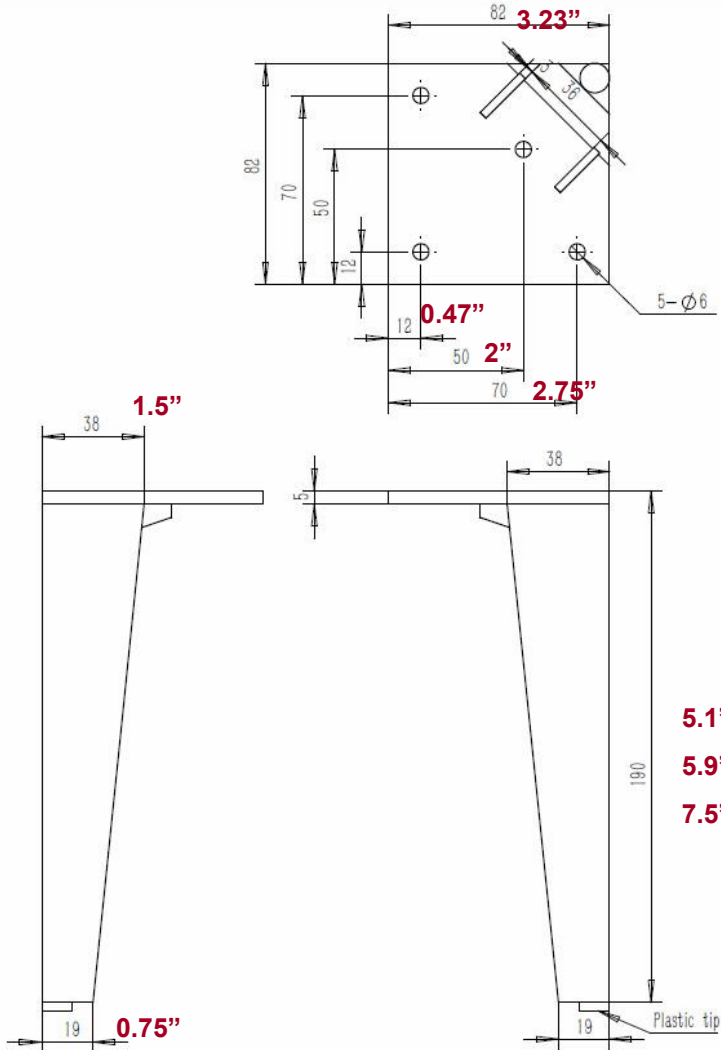
PART #	MATERIAL	FINISH	HEIGHT	PACK SIZE
20FCYPS130S	IRON	NICKEL SATIN	5.1" (130mm)	24PCS
20FCYPS150S	IRON	NICKEL SATIN	5.9" (150mm)	24PCS
20CYPS190S	IRON	NICKEL SATIN	7.5" (190mm)	24PCS

LEGEND

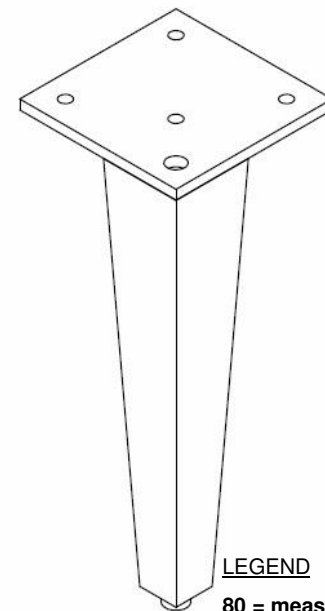
80 = measurement in millimeters

4" = measurement in inches

CYPRESS



Iron Leg
Chromed / Nickel Satin



LEGEND

80 = measurement in millimeters

4" = measurement in inches