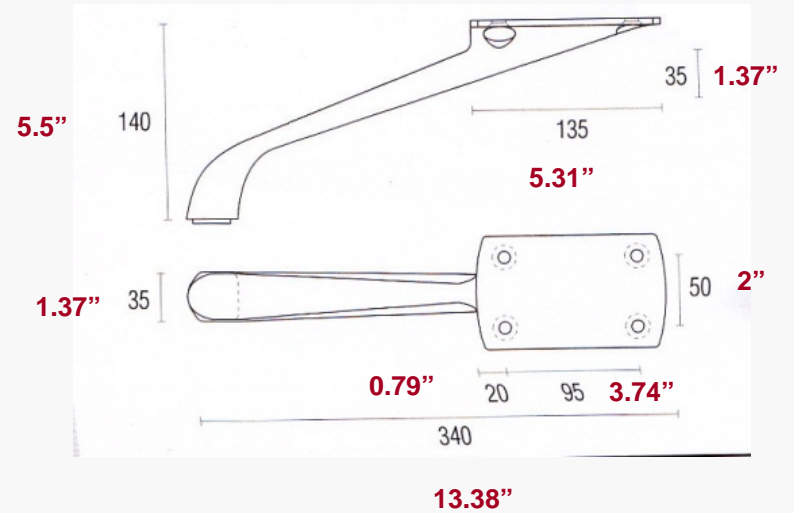


DUNE



PART #	MATERIAL	FINISH	HEIGHT	PACK SIZE
20AM176L140S	ALUMINUM	POLISH	5.5" (140mm)	24PCS

LEGEND

80 = measurement in millimeters

4" = measurement in inches