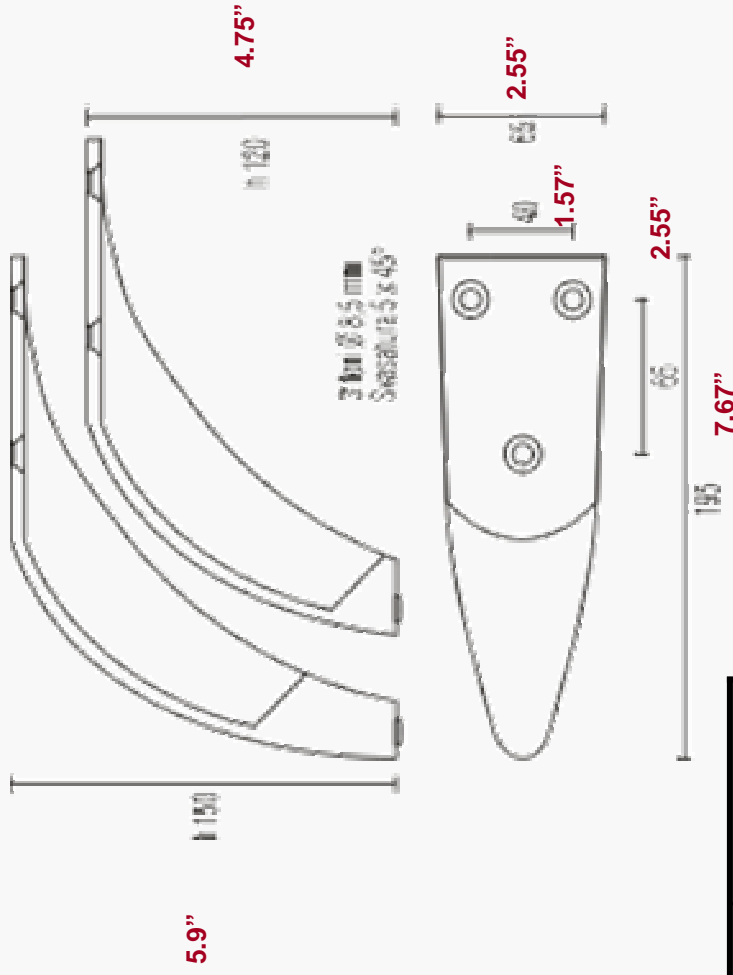


# IBIS



**LEGEND**

80 = measurement in millimeters

4" = measurement in inches

PART #	MATERIAL	FINISH	HEIGHT	PACK SIZE
20AIBIL120S	ALUMINUM	POLISH	4.75" (120mm)	48PCS
20AIBIO120S	ALUMINUM	MATTE	4.75" (120mm)	48PCS
20AIBIL150S	ALUMINUM	POLISH	5.9" (150mm)	48PCS
20AIBIO150S	ALUMINUM	MATTE	5.9" (150mm)	48PCS