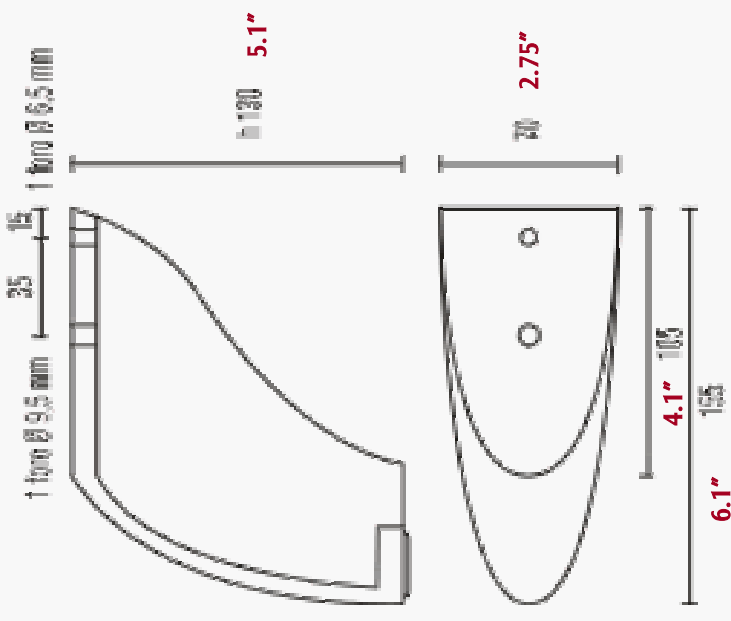


QUEBEC



LEGEND

80 = measurement in millimeters

4" = measurement in inches

PART #	MATERIAL	FINISH	HEIGHT	PACK SIZE
20AQUEL130	ALUMINUM	POLISH	5.1" (130mm)	48PCS
20AQUEO130	ALUMINUM	MATTE	5.1" (130mm)	48PCS