

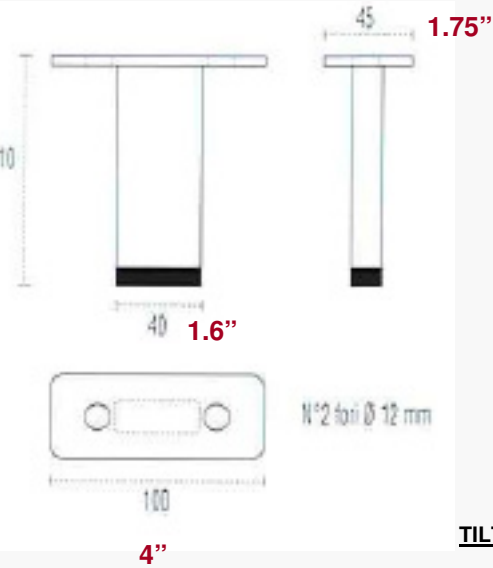
TILT & TILT 1



TILT 1

4.3"

h110

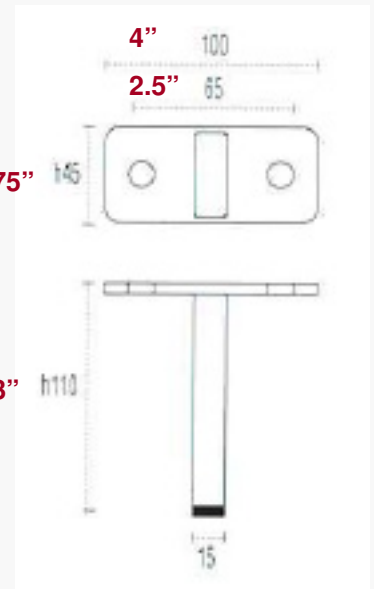


TILT

1.75"

4.3"

h110



LEGEND

80 = measurement in millimeters

4" = measurement in inches

PART #	MATERIAL	FINISH	HEIGHT	PACK SIZE
20FTILC110S	IRON	CHROME	4.3" (110mm)	48PCS
20FTIL1C110Z	IRON	CHROME	4.3" (110mm)	48PCS