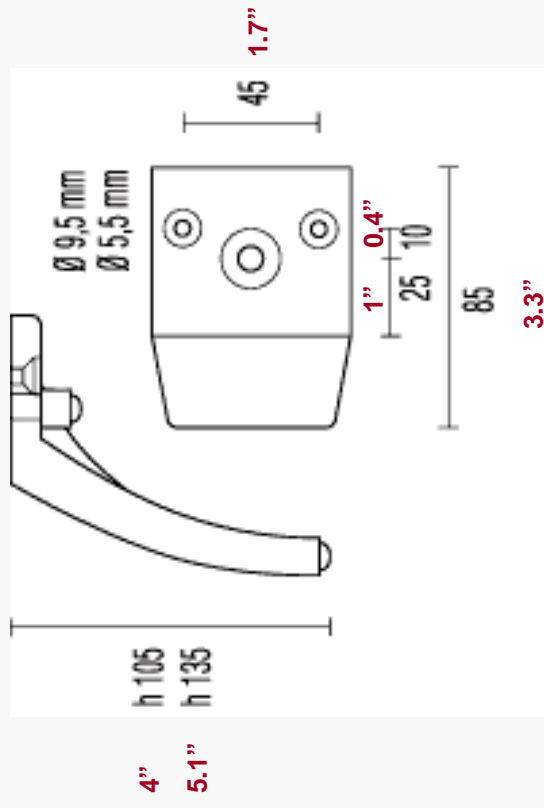


# WINTER



**LEGEND**

80 = measurement in millimeters

4" = measurement in inches

| PART #      | MATERIAL | FINISH | HEIGHT        | PACK SIZE |
|-------------|----------|--------|---------------|-----------|
| 20AWINL105S | ALUMINUM | POLISH | 4.0" (105mm)  | 24PCS     |
| 20AWINO105S | ALUMINUM | MATTE  | 4.0" (105mm)  | 24PCS     |
| 20AWINL135S | ALUMINUM | POLISH | 5.10" (130mm) | 24PCS     |
| 20AWINO135S | ALUMINUM | MATTE  | 5.10" (130mm) | 24PCS     |