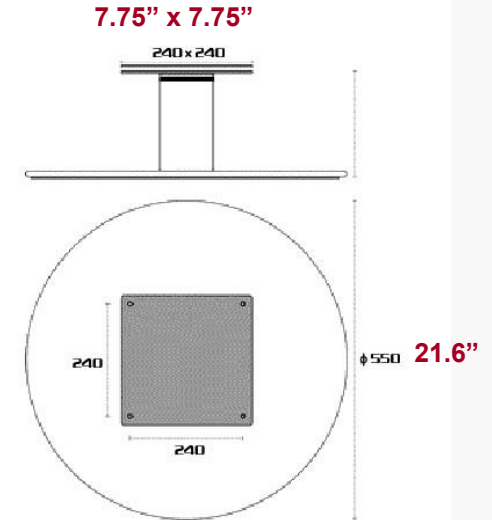


BASE PLAT 08



Notes

- Plate is 200mm x 200mm (7.75" x 7.75") square
- Distance between holes is 170mm (6.7")



PART #	MATERIAL	FINISH	HEIGHT	DIAMETER	PACK SIZE
23BFE08L55S-120	IRON	CHROME	4.75" (120mm)	21.6" (550MM)	1PC
23BFE08S55S-120	IRON	MATTE	4.75" (120mm)	21.6" (550MM)	1PC
23BFE08L55S-250	IRON	CHROME	9.75" (250mm)	21.6" (550MM)	1PC
23BFE08S55S-250	IRON	MATTE	9.75" (250mm)	21.6" (550MM)	1PC
* 23BFE08L5030S	IRON	CHROME	11.75" (300mm)	19.75" (500MM)	1PC
* 23BFE08S5030S	IRON	MATTE	11.8" (300mm)	21.6" (550MM)	1PC
* 23BFE08L5520S	IRON	CHROME	7.9" (200mm)	21.6" (550MM)	1PC
* 23BFE08S5520S	IRON	MATTE	7.9" (200mm)	21.6" (550MM)	1PC

* Article not stocked

LEGEND

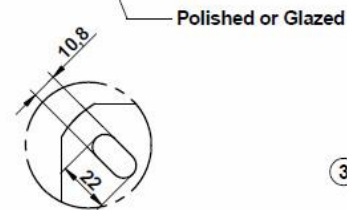
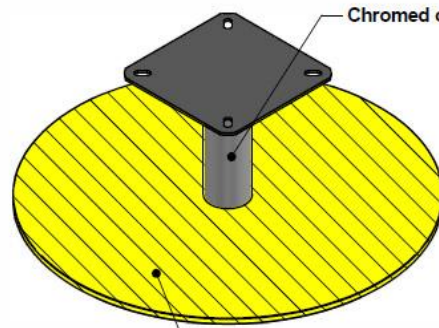
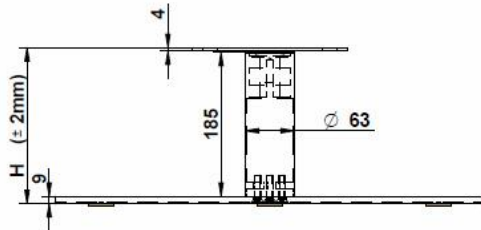
80 = measurement in millimeters

4" = measurement in inches

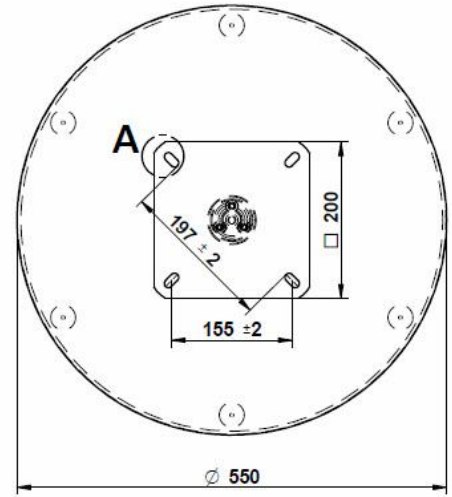
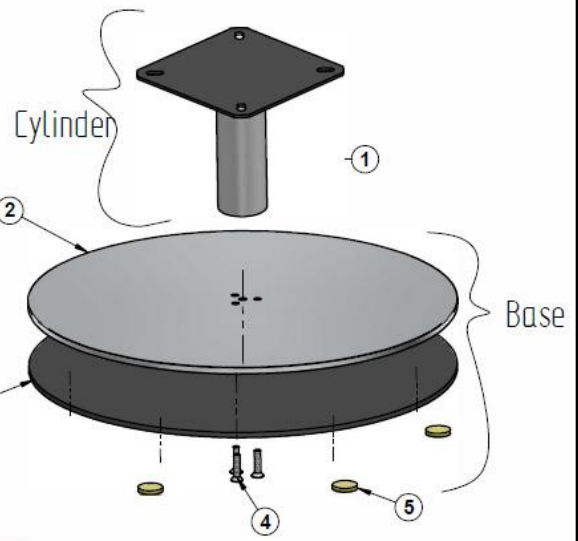
BASE PLAT 08



.....
.....
.....
.....



DETT. A



CODE	FINISHING	H (+/- 2mm)
23BFE08L5512S	Chromed / Polished	120 mm
23BFE08L5520S	Chromed / Polished	200 mm
23BFE08S5520S	Glazed	200 mm

Pos	Description	Pz	Material	KG	Cod.	Finishing
5	Felt Ø32	6	Felt			Brawn
4	Screw TSEI M8x35	3	Iron			Galvanized
3	Ballast TK.9mm	1	Iron	11,5		Painted Black
2	Cover TK.0.8mm	1	Inox			See Table
1	Cylinder Ø63	1	Iron	2,7		See Table

Remove any bevel and/or residual material and/or sharp edges

00	20/07/16	Editing Draw	Fabio	Riccardo
Rev	Data	Modifica	Firma	Controllato

PEA S.R.L. si riserva il copyright del presente disegno e tutti i diritti di legge.
PEA S.R.L. classe di progettazione

Base "J08" Ø550 H vedi tabella
Fin. Polished or Glazed

Art. Code **23BFJ08_55_S**
Reference (EX RS...)

Formato foglio	-	Dimensioni & Angles not allowed : UNI ISO 22768 1 - 2 Mechanical Processes: Class 1 / Carpentry: class m
Scala	-	<input checked="" type="checkbox"/> = <input checked="" type="checkbox"/> <input checked="" type="checkbox"/> <input checked="" type="checkbox"/> <input checked="" type="checkbox"/> <input checked="" type="checkbox"/> <input checked="" type="checkbox"/> <input checked="" type="checkbox"/> <input checked="" type="checkbox"/>

Signature & Print of approval

BEVEL	Required on sharp parts
FACES TO BE FINISHED	All
ASSEMBLING	BASE Complete Felt included CYLINDER With Screw M8x30 (Pos.4)
PACKAGING	BASE Single Pluriball Bags + Single Carton Box CYLINDER single Pluriball Bag + Carton Box 5 pcs.